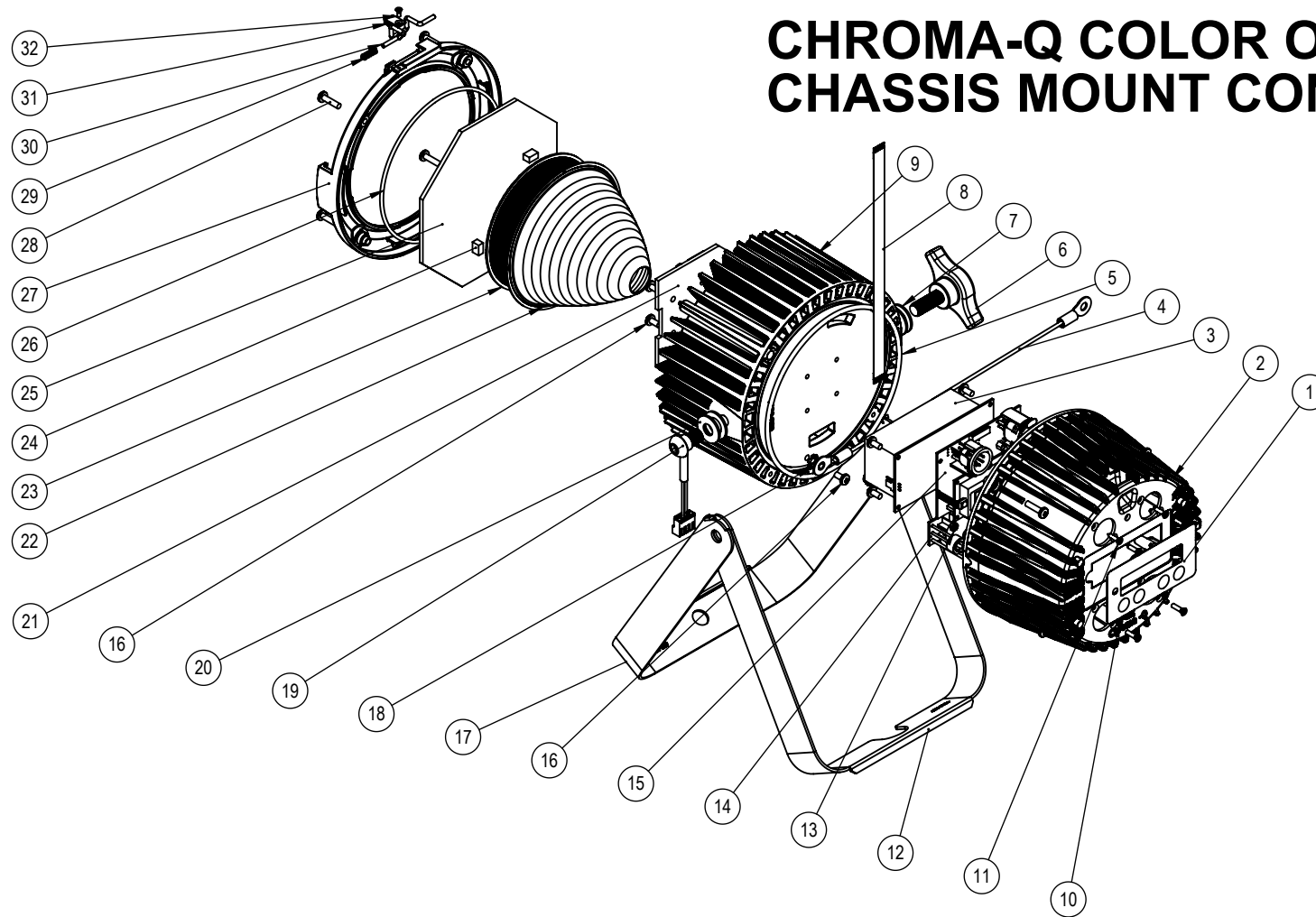
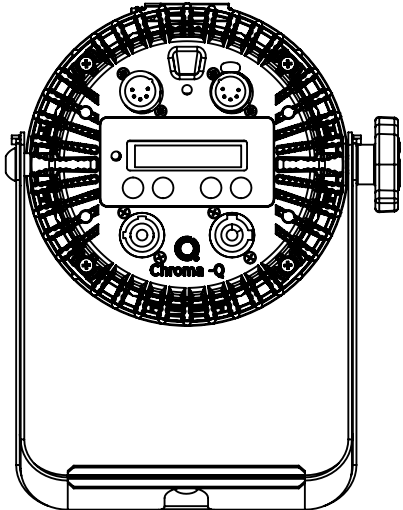
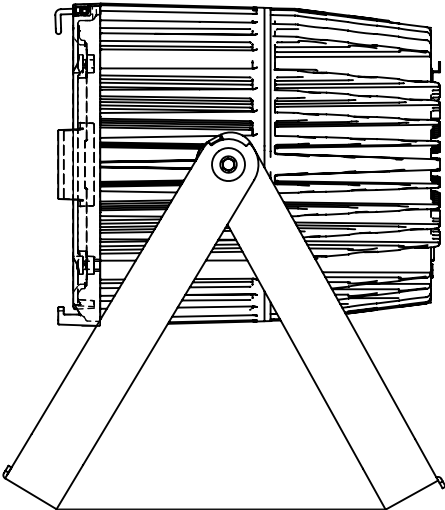
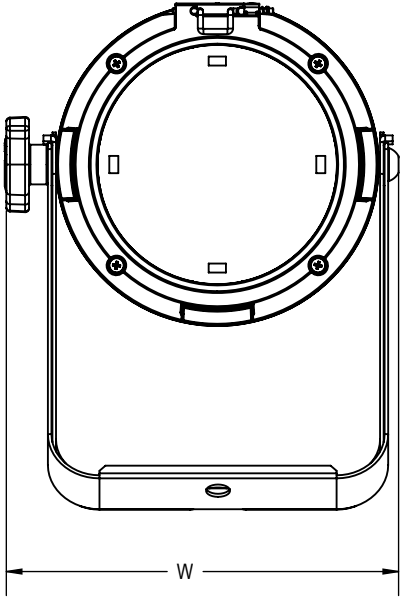
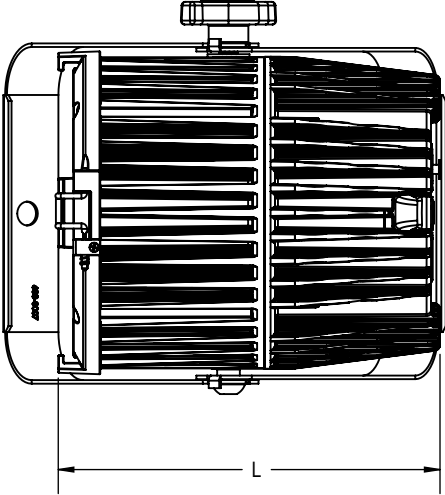
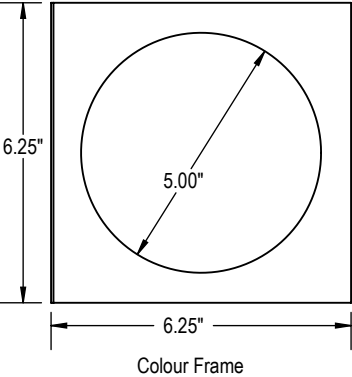


CHROMA-Q COLOR ONE 100 W/ CHASSIS MOUNT CONNECTORS



16	440-1208-0	SCREW M4x8 PH PLPS BLK	12	32	425-1106-0	SCREW M2.5x6 FH PLPS BLK	1
15	638-0105	PCB COMPLETE ADDRESSING PARLOW CONNECTORS	1	31	638-0005	RETAINING CLIP HOLDER PARLOW	1
14	638-0300	HARNESS POWER IN/OUT PARLOW	1	30	638-0004	RETAINER	1
13	430-3203-0	NUT HEX M3 COMBI Bk	4	29	638-0011	CLOSED-END MUSIC WIRE COMPRESSION SPRING S-585	1
12	638-0006	YOKE 1 PARLOW	1	28	440-1216-2	SCREW M4x16 PH PLPS SS	8
11	429-6113-9	SCREW SELF TAP FH PZDV BLK ST2.9x13 RoHS	4	27	638-0003	BEZEL CASTING PARLOW	1
10	430-1112-0	SCREW M3x12 FH PLPS BLK	4	26	900-0727	O-RING SILICONE 70 DURO 1/8 x 4 13/16 CS	1
9	638-0001	CENTER SECTION CASTING PARLOW	1	25	638-0501	GLASS FRONT PARLOW SILKSCREENED	1
8	900-2183	CABLE FLAT FLEX 14POS 1MM 6"	1	24	900-0663	NEOPRENE GASKET - 1/8" x 3/8" x 3/16" long	4
7	350-2187-5	WASHER FLAT BLACK/GREEN 1/2IDx7/8ODx1/16THK C4324	2	23	631-0021	LENS NARROW FOR OP-5LN2-0445	1
6	638-0013	KNOB BLACK M10x1.5 - 20mm SS	1	22	638-0502	REFLECTOR COATED PARLOW	1
5	900-0735	O-RING SILICONE 70 DURO 1/8 x 5 3/8 CS	1	21	638-0114	PCB COMPLETE LED'S PARLOW	1
4	638-0302	HARNESS GROUND 6" 16AWG	1	20	338-2187-5	WASHER FLAT BLACK/GREEN 3/8IDx7/8ODx1/16THK C4324	2
3	900-2181	POWER SUPPLY MEANWELL EPS-65-24, 100-240VAC, 1.5A	1	19	638-0012	SHOULDER SCREW M10x16 BHCS BLK	1
2	638-0002	BOTTOM CASTING PARLOW	1	18	450-2609-1	WASHER LOCK M5 EXT TOOTH Zn	2
1	638-0008	OVERLAY PARLOW	1	17	638-0007	YOKE 2 PARLOW	1
ITEM NO.	PART NUMBER	DESCRIPTION	QTY.	ITEM NO.	PART NUMBER	DESCRIPTION	QTY.
PARTS LIST				PARTS LIST			

CHROMA-Q COLOR ONE 100 W/ CHASSIS MOUNT CONNECTORS



DISCLAIMER: Dimensions and illustrative drawings contained herein are accurate to the company's knowledge at the time of printing, however, specifications are subject to change without notice.