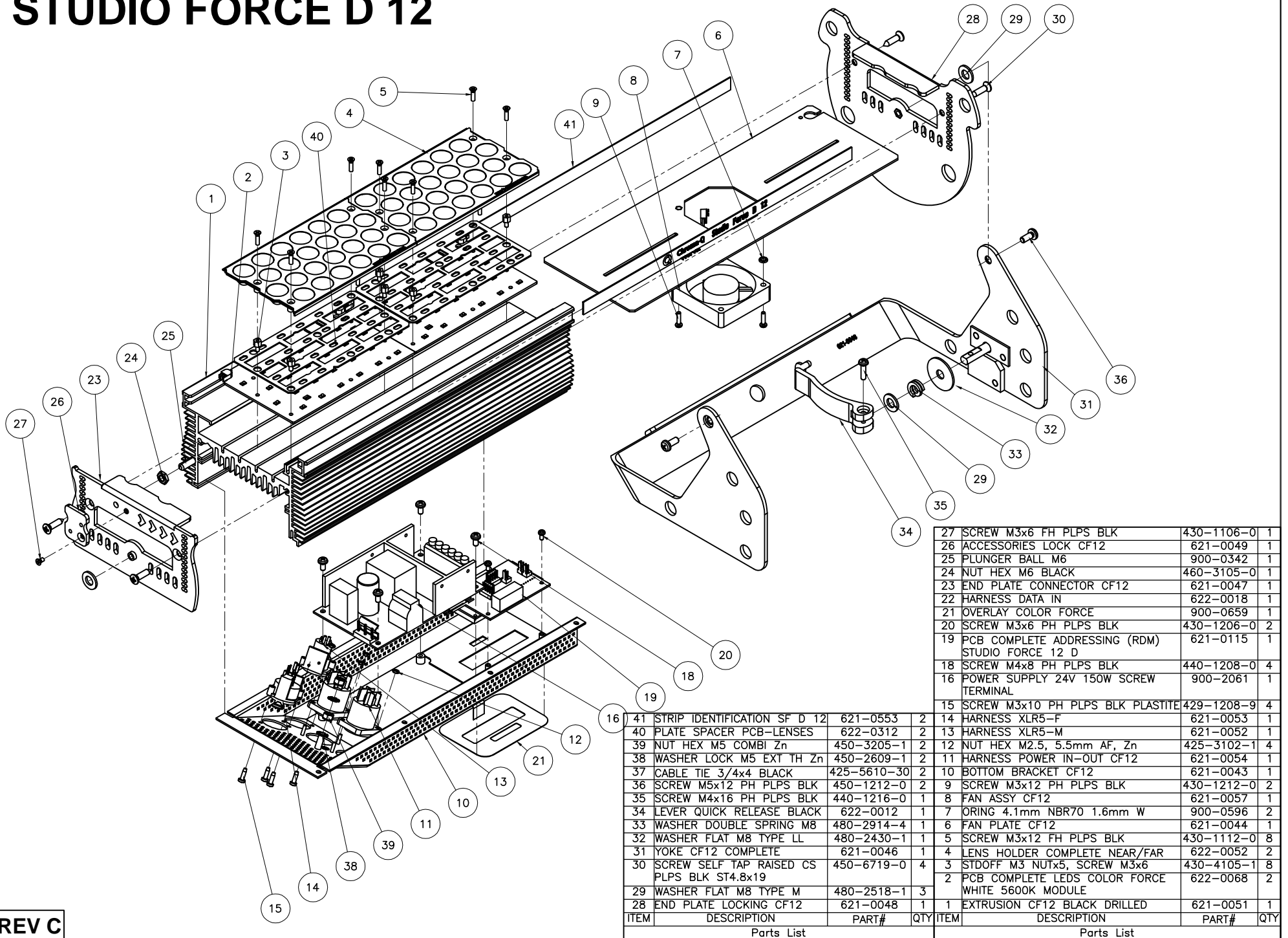


STUDIO FORCE D 12



REV C

ITEM	DESCRIPTION	PART#	QTY	ITEM	DESCRIPTION	PART#	QTY
27	SCREW M3x6 FH PLPS BLK	430-1106-0	1	27	SCREW M3x6 FH PLPS BLK	430-1106-0	1
26	ACCESSORIES LOCK CF12	621-0049	1	26	ACCESSORIES LOCK CF12	621-0049	1
25	PLUNGER BALL M6	900-0342	1	25	PLUNGER BALL M6	900-0342	1
24	NUT HEX M6 BLACK	460-3105-0	1	24	NUT HEX M6 BLACK	460-3105-0	1
23	END PLATE CONNECTOR CF12	621-0047	1	23	END PLATE CONNECTOR CF12	621-0047	1
22	HARNESS DATA IN	622-0018	1	22	HARNESS DATA IN	622-0018	1
21	OVERLAY COLOR FORCE	900-0659	1	21	OVERLAY COLOR FORCE	900-0659	1
20	SCREW M3x6 PH PLPS BLK	430-1206-0	2	20	SCREW M3x6 PH PLPS BLK	430-1206-0	2
19	PCB COMPLETE ADDRESSING (RDM) STUDIO FORCE 12 D	621-0115	1	19	PCB COMPLETE ADDRESSING (RDM) STUDIO FORCE 12 D	621-0115	1
18	SCREW M4x8 PH PLPS BLK	440-1208-0	4	18	SCREW M4x8 PH PLPS BLK	440-1208-0	4
16	POWER SUPPLY 24V 150W SCREW TERMINAL	900-2061	1	16	POWER SUPPLY 24V 150W SCREW TERMINAL	900-2061	1
15	SCREW M3x10 PH PLPS BLK PLASTITE	429-1208-9	4	15	SCREW M3x10 PH PLPS BLK PLASTITE	429-1208-9	4
14	HARNESS XLR5-F	621-0053	1	14	HARNESS XLR5-F	621-0053	1
13	HARNESS XLR5-M	621-0052	1	13	HARNESS XLR5-M	621-0052	1
12	NUT HEX M2.5, 5.5mm AF, Zn	425-3102-1	4	12	NUT HEX M2.5, 5.5mm AF, Zn	425-3102-1	4
11	HARNESS POWER IN-OUT CF12	621-0054	1	11	HARNESS POWER IN-OUT CF12	621-0054	1
10	BOTTOM BRACKET CF12	621-0043	1	10	BOTTOM BRACKET CF12	621-0043	1
9	SCREW M3x12 PH PLPS BLK	430-1212-0	2	9	SCREW M3x12 PH PLPS BLK	430-1212-0	2
8	FAN ASSY CF12	621-0057	1	8	FAN ASSY CF12	621-0057	1
7	ORING 4.1mm NBR70 1.6mm W	900-0596	2	7	ORING 4.1mm NBR70 1.6mm W	900-0596	2
6	FAN PLATE CF12	621-0044	1	6	FAN PLATE CF12	621-0044	1
5	SCREW M3x12 FH PLPS BLK	430-1112-0	8	5	SCREW M3x12 FH PLPS BLK	430-1112-0	8
4	LENS HOLDER COMPLETE NEAR/FAR	622-0052	2	4	LENS HOLDER COMPLETE NEAR/FAR	622-0052	2
3	STD OFF M3 NUTx5, SCREW M3x6	430-4105-1	8	3	STD OFF M3 NUTx5, SCREW M3x6	430-4105-1	8
2	PCB COMPLETE LEDS COLOR FORCE WHITE 5600K MODULE	622-0068	2	2	PCB COMPLETE LEDS COLOR FORCE WHITE 5600K MODULE	622-0068	2
1	EXTRUSION CF12 BLACK DRILLED	621-0051	1	1	EXTRUSION CF12 BLACK DRILLED	621-0051	1
41	STRIP IDENTIFICATION SF D 12	621-0553	2	41	STRIP IDENTIFICATION SF D 12	621-0553	2
40	PLATE SPACER PCB-LENSES	622-0312	2	40	PLATE SPACER PCB-LENSES	622-0312	2
39	NUT HEX M5 COMBI Zn	450-3205-1	2	39	NUT HEX M5 COMBI Zn	450-3205-1	2
38	WASHER LOCK M5 EXT TH Zn	450-2609-1	2	38	WASHER LOCK M5 EXT TH Zn	450-2609-1	2
37	CABLE TIE 3/4x4 BLACK	425-5610-30	2	37	CABLE TIE 3/4x4 BLACK	425-5610-30	2
36	SCREW M5x12 PH PLPS BLK	450-1212-0	2	36	SCREW M5x12 PH PLPS BLK	450-1212-0	2
35	SCREW M4x16 PH PLPS BLK	440-1216-0	1	35	SCREW M4x16 PH PLPS BLK	440-1216-0	1
34	LEVER QUICK RELEASE BLACK	622-0012	1	34	LEVER QUICK RELEASE BLACK	622-0012	1
33	WASHER DOUBLE SPRING M8	480-2914-4	1	33	WASHER DOUBLE SPRING M8	480-2914-4	1
32	WASHER FLAT M8 TYPE LL	480-2430-1	1	32	WASHER FLAT M8 TYPE LL	480-2430-1	1
31	YOKE CF12 COMPLETE	621-0046	1	31	YOKE CF12 COMPLETE	621-0046	1
30	SCREW SELF TAP RAISED CS PLPS BLK ST4.8x19	450-6719-0	4	30	SCREW SELF TAP RAISED CS PLPS BLK ST4.8x19	450-6719-0	4
29	WASHER FLAT M8 TYPE M	480-2518-1	3	29	WASHER FLAT M8 TYPE M	480-2518-1	3
28	END PLATE LOCKING CF12	621-0048	1	28	END PLATE LOCKING CF12	621-0048	1

Parts List

Parts List