



Chroma-Q™ Color Force Compact RGBA Multi-Purpose LED Fixture

**Part No:
CHCFCRRGBA**

S P E C I F I C A T I O N S H E E T

V 1.1

DESCRIPTION

The fixture shall provide a very powerful 1700 hot lumens output for washing areas up to 8m / 26ft high.

The fixture shall be suitable for a wide range of entertainment lighting disciplines, including uplighting, pipe-end, shin busting, backlighting, truss toner and other wash applications.

The fixture shall be IP65 rated.

The fixture shall feature a compact design.

The fixture shall be suitable for floor, wall or truss mounting.

The fixture shall provide RGBA colour mixing.

The fixture shall provide a high CRI of 92.

The fixture shall provide a smooth, linear dimming curve.

The fixture shall offer a choice of HSI, FxHSI, RGB (*Magic Amber), RGBA, RGBI (Magic Amber), Look Select, Master and Slave Standalone control modes.

The fixture shall feature a built-in stand-alone mode with real-time triggering.

The fixture shall feature an external power supply - Color Force Compact PSU15.

The fixture shall be manufactured from extruded material.

The fixture shall allow daisy-chaining of up to five units on a single PSU15 output.

The fixture shall be compatible with selected City Theatrical accessories.

FEATURES

- Massive output across the spectrum - 1700 lumens
- Multi-purpose - suitable for numerous entertainment lighting disciplines
- Huge RGBA full colour palette and high CRI of 92.
- Deep cold blues, red hot lava looks and super soft pastels from a single fixture
- Extremely smooth uniform wash
- IP65 rating for temporary outdoor applications
- Cost-effective entry-level model utilising Color Force technologies
- Compact 235mm / 9.25in length is ideal for floor, wall or truss mounting
- Theatrical grade dimming
- Accepts City Theatrical accessories

OVERALL SPECIFICATIONS

Net dimensions (without fixings):
 Width (A): 235mm / 9.25"
 Height (B): 197mm / 7.75"
 Depth (C): 152mm / 6"

Net weight: 4 kgs / 8.5 lbs

Shipping dimensions:
 Width: 267mm / 10.5"
 Height: 254mm / 10"
 Depth: 241mm / 9.5"

Shipping weight: 5.4kgs / 12lbs

Power input rating: 48V DC

Power consumption: 60 watts

Power connector in/out: XLR 4-pin

OVERALL SPECIFICATIONS CONTINUED

Data connector in/out: XLR 4-pin
 Max cable run: ~60m / 200ft
 Power: External - PSU15 - see specification sheet
 Control protocol: ANSI E1.11 DMX-512A / Wireless Option
 Cooling system: Convection
 Construction: Cast machined enclosure
 Colour: Black
 Built in hardware: Yoke assembly
 IP Rating: **IP65
 Approvals: CISPR22 :2006/EN55022 :2006 & CISPR 24 :1997/ EN55024 :1998, ICES-003 :2004 & FCC Part 15 Subpart B: 2007

LED engines: 1
 LEDs per engine: 28
 Total LEDs: 28
 Control modes: 52 channels FxHSI, 45 channels HSI, 45 channels RGB, 15 channels FxHSI, 9 channels HSI, 9 channels RGB, 9 channels FxHSI, 3 channels HSI, 3 channels RGB, 60 channels RGBA, 61 channels sRGBI, 12 channels RGBA, 13 channels sRGBI, 4 channels sRGBA, 5 channels sRGBI, Look Select, Master Standalone, Slave Standalone

Dimming Curve: Theatrical
 Variable effects engine: Yes
 Effects parameters: Colour speed, colour range, colour step, grouping, colour fan and intensity effects.

Hot Lumen output:
 White 1700 lumens
 Red 350 lumens
 Green 960 lumens
 Blue 90 lumens
 Amber 700 lumens

Optics: Specialised close focus lens
 Beam angle: 14° (approx.)
 Beam Angle With
 Optional Frosted Optic: 21° (approx.)
 Beam distribution: Asymmetrical direct illumination
 CCT: Adjustable 1,000 - 10,000K
 Colour Gamut: Performance enhanced
 CRI: 92
 Lamp life: L70 at 50,000 hours

*Magic Amber is the term used for the unit's ability to bring in amber when mixing colours that require it. ** As per IEC60529 ingress protection rating code.


www.chroma-q.com



HQ, UK & International Sales
 A.C. Entertainment Technologies Ltd.
 Tel: +44 (0)1494 446000
 Fax: +44 (0)1494 461024
sales@ac-et.com
www.ac-et.com

Northern UK Sales
 A.C. Entertainment Technologies Ltd.
 Tel: 0113 255 7666
 Fax: 0113 255 7676
acnorth@ac-et.com
www.ac-et.com

North American Sales
 A.C. Lighting Inc.
 Tel: 416-255-9494
 Fax: 416-255-3514
northamerica@aclighting.com
www.aclighting.com/northamerica

Asian Sales
 A.C. Lighting Asia KK
 Tel: +81 (0)48-475-9377
 Fax: +81 (0)48-475-9355
asia@aclighting.com
www.aclighting.com/asia



Chroma-Q™ Color Force Compact RGBA Multi-Purpose LED Fixture

**Part No:
CHCFCRGBA**

S P E C I F I C A T I O N S H E E T

V 1.1

ORDERING INFORMATION

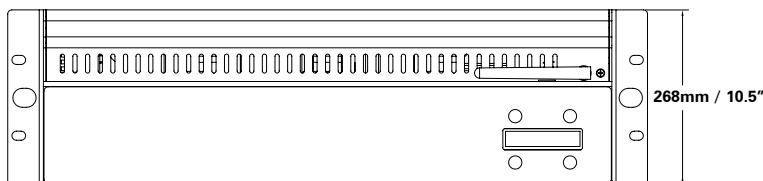
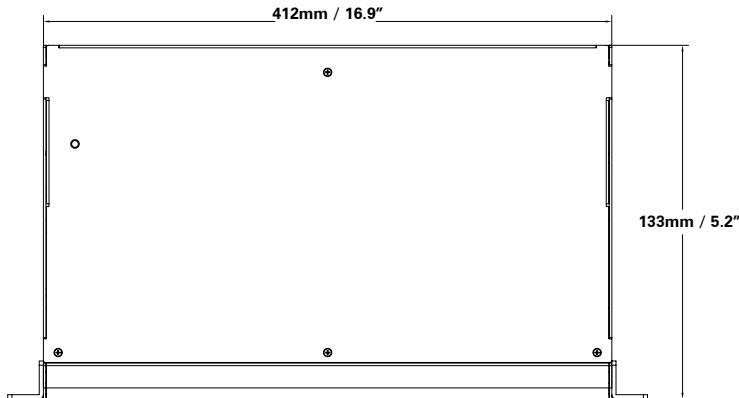
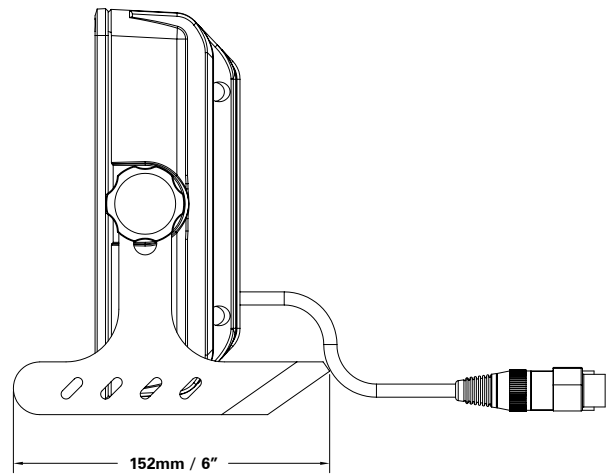
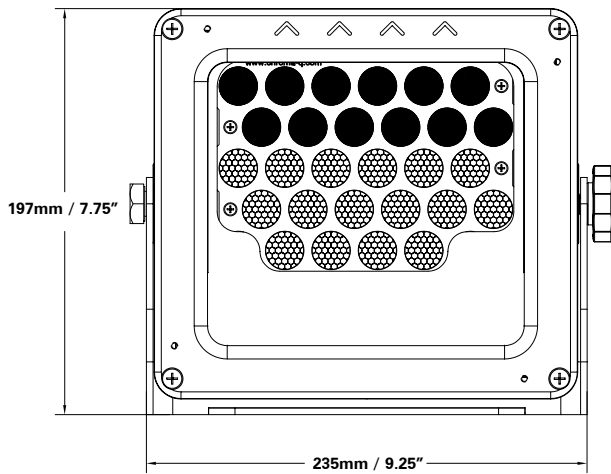
Model
Color Force Compact

Part No
CHCFCRGBA

ACCESSORIES

Model
 ***Top Hat For Compact - Black
 ***Half Top Hat For Compact - Black
 ***Egg Crate Louver For Compact Black
 ***Barn Door For Compact - Black
 Clear Glass For Compact (Comes with fixture)
 Frosted Glass For Compact (Comes with fixture)
 Color Force Accessory Holder (Comes with fixture)
 W-DMX Wireless Option For PSU-15
 ***City Theatrical accessories.

Part No
 CHCFCTH
 CHCFCHTH
 CHCFCECL
 CHCFCBD
 CHCFCCCL
 CHCFCFL
 CHCFCAH
 CHCFCDMXOP



www.chroma-q.com



HQ, UK & International Sales
 A.C. Entertainment Technologies Ltd.
 Tel: +44 (0)1494 446000
 Fax: +44 (0)1494 461024
sales@ac-et.com
www.ac-et.com

Northern UK Sales
 A.C. Entertainment Technologies Ltd.
 Tel: 0113 255 7666
 Fax: 0113 255 7676
acnorth@ac-et.com
www.ac-et.com

North American Sales
 A.C. Lighting Inc.
 Tel: 416-255-9494
 Fax: 416-255-3514
northamerica@aclighting.com
www.aclighting.com/northamerica

Asian Sales
 A.C. Lighting Asia KK
 Tel: +81 (0)48-475-9377
 Fax: +81 (0)48-475-9355
asia@aclighting.com
www.aclighting.com/asia

Chroma-Q and all associated product names are recognised trademarks, for more information visit www.chroma-q.com/trademarks. The rights and ownership of all trademarks are recognised. The information contained herein is correct at the time of printing, we reserve the right to change the specification without notice. E60E.