

Approvals & Disclaimer



The information contained herein is offered in good faith and is believed to be accurate. However, because conditions and methods of use of our products are beyond our control, this information should not be used in substitution for customer's tests to ensure that Chroma-Q products are safe, effective, and fully satisfactory for the intended end use. Suggestions of use shall not be taken as inducements to infringe any patent. Chroma-Q sole warranty is that the product will meet the Chroma-Q sales specifications in effect at the time of shipment. Your exclusive remedy for breach of such warranty is limited to refund of purchase price or replacement of any product shown to be other than as warranted.

Chroma-Q reserves the right to change or make alteration to devices and their functionality without notice due to on-going research and development.

The Chroma-Q Color Force Compact has been designed specifically for the lighting industry. Regular maintenance should be performed to ensure that the products perform well in the entertainment environment.

If you experience any difficulties with any Chroma-Q products please contact your selling dealer. If your selling dealer is unable to help please contact support@chroma-q.com. If the selling dealer is unable to satisfy your servicing needs, please contact the following for full factory service:

Outside North America:

Tel: +44 (0)1494 446000

Fax: +44 (0)1494 461024

support@chroma-q.com

North America:

Tel: +1 416-255-9494

Fax: +1 416-255-3514

support@chroma-q.com

For further information please visit the Chroma-Q website at www.chroma-q.com.

Chroma-Q is a trademark, for more information on this visit www.chroma-q.com/trademarks.

The rights and ownership of all trademarks are recognised.

Quick Start Guide Color Force Compact™



For a full product manual please visit www.chroma-q.com

Software version 1.2

1. Overview

The Chroma-Q™ Color Force Compact™ is a powerful creative lighting tool that works in perfect harmony with the popular Color Force™ range. The Compact is a cost-effective workhorse, ideal for a wide range of applications.

Compatibility with industry standard control consoles is assured. HSI, FxHSI, RGB (*Magic Amber), RGBA, RGBI (Magic Amber), Look Select, Master and Slave Standalone control modes are available via an external 15-way Power Supply unit and the Color Block Power Supply units.

2. Safety

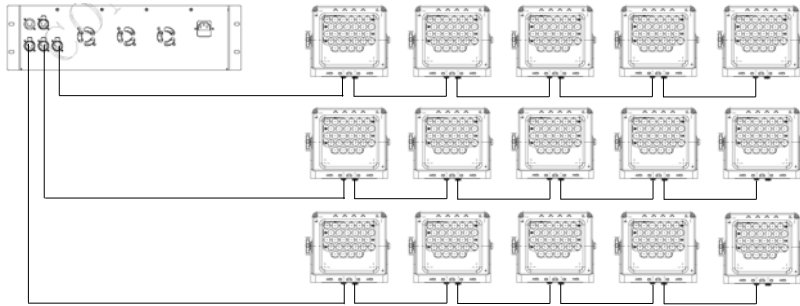


Caution

1. This product is for professional use only. It is NOT intended for domestic or outdoor use.
2. The bright flash of light during power-up and continuous strobe effect may cause epileptic seizure.
3. This product must be used with safety cable.

3. Cabling

Connect power and control data from the Compact PSU15 through the XLR 4-pin cable system. A maximum of 5 daisy-chained Compact fixtures can be connected to a single output of the PSU. The total cable length of each chain must not exceed 60m/ ~200ft, and the cable for each adjacent unit must not exceed 20m.



Compact PSU15 Output Configuration: (Output 1, 2 & 3)

4. Mounting

The Color Force Compact is equipped with a built-in adjustable mounting bracket for floor, wall and truss mounting applications. The yoke features an added pair of holes for height adjustment. Secure the fixture with a safety bond through the fixing holes of the cast enclosures. (See user manual for details.)

5. Orientation & Optical Accessories

The Color Force Compact fixture has the "chevron" markings stamped on the front to indicate the side of the fixture that should be adjacent to the wall or cyclorama. (See attached "Installation Guide for details.)

An optional frosted or clear glass lens is included in the package to adjust the light output of the Compact Force fixtures. An accessory plate is also included to hold and lock in place accessories such as top hats, half top hats, barndoors, egg crate louvres and others. (See attached for details.)

6. Control

The Color Force Compact fixture can be controlled via ANSI E1.11 USITT DMX512-A through the Color Force Compact PSU15 which can be set to operate in 16 DMX controlled modes with 3 grouping options (single,

output and all grouped) and 2 stand-alone modes. (Refer to the Color Force Compact PSU15 User Manual for Control Menu details.)

**Color Force Compact
Control Mode - Software Version 1.2**

Mode	Name	Group	Ch	Description
1	fxHSI	Single	52	7fx + 15 x HSI (Grouping, Colour Speed, Fan, Range, Step, Intensity Fx, Intensity Fan)
2	HSI	Single	45	15 x HSI
3	RGB	Single	45	15 x RGB (with *Magic Amber)
4	RGBA	Single	60	15 x RGBA
5	sRGBI	Single	61	1s + 15 x RGBI
6	FxHSI	Output	15	6fx + 3 x HIS
7	HSI	Output	9	3 x HSI
8	RGB	Output	9	3 x RGB (*with Magic Amber)
9	RGBA	Output	12	3 x RGBA
10	sRGBI	Output	13	1s + 3 x RGBI
11	FxHSI	All	9	6fx + 3 x HSI (Colour Speed, Fan, Range, Step, Int Fx, Int Fan)
12	HSI	All	3	HSI
13	RGB	All	3	RGB (with *Magic Amber)
14	RGBA	All	4	RGBA
15	sRGBI	All	5	1s + RGBI
16	Look Sel	All	1	Look Select
17	Mastr StandAlon			Master Standalone
18	Slave StandAlon			Slave Standalone

Control Options:

3 Channels HSI (Hue, Saturation and Intensity): 2 colour channels for hue (255 colours) and saturation, and a separate intensity channel.

3 Channels RGB (Red, Green and Blue with *Magic Amber): 3 colour channels that directly affect the intensity of the corresponding LED.

4 channels RGBI (Red, Green, Blue with *Magic Amber and Intensity): 3 control channels directly affecting the intensity of the corresponding LED, and 1 channel affecting the intensity of all RGB channels.

4 channels RGBA (Red, Green, Blue and Amber): 4 control channels directly affecting the intensity of the corresponding LED.

Internal FX engine: Compact PSU features an internal FX engine with 7 variable parameters. See full Compact PSU15 manual for control details.

Grouping Options:

The Color Force Compact fixtures consist of a single LED engine with 4 circuits of 7 (Red, Green, Blue, Amber) LEDs each, for a total of 28 LEDs. Three grouping options are available for the control of the fixtures:

"Single" grouping allows for the control of the individual LED circuits in every fixture.

"Out" grouping per output, allows for the control of up to 5 fixtures from each PSU output as one group.

"All" grouping allows for the control of all fixtures from all the outputs as one group.

Effects Description:

Grouping - variable grouping facility to run FX between / within groups.

Colour Speed - variable speed of colour scrolling

Colour Fan - variable fan of colour between / within groups

Colour Range - variable limit of spectrum range for colour scrolling

Colour Step - variable control of smoothness of colour scrolling

Intensity Effects - wide selection of intensity fading and snapping effect

Intensity Fan - variable fan of intensity effects

Note: All internal FX are referenced back to the group base HSI colour and intensity levels.

* Magic Amber is the term used for the unit's ability to bring in amber when mixing colors that require it with the use of only 3 control channels.

7. Further Information

Please refer to the Chroma-Q Color Force Compact manual for more detailed information. A copy of the manual can be found at the Chroma-Q website – www.chroma-q.com – under Support.

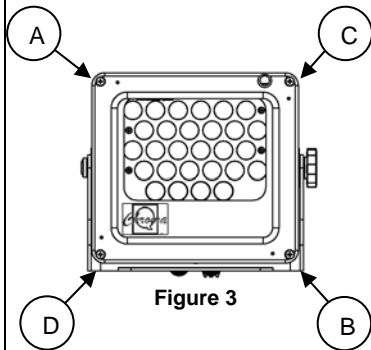
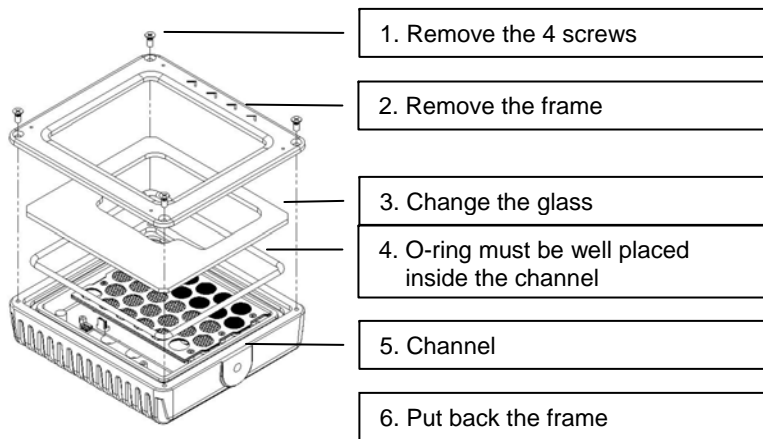
Color Force Compact Optical Accessories Installation Guide

Glass change:

Screws: 4 x M5 flathead screws

Tool: Torque screwdriver with PH #2

Torque: 20 in/lb

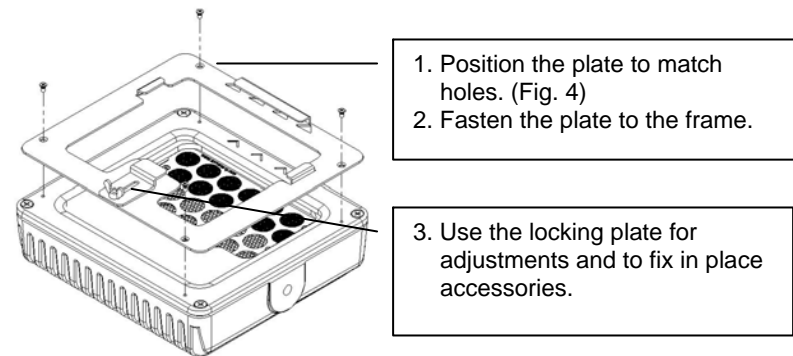


7. Insert halfway the M5 screws in this sequence: A – B – C - D. (Fig. 3)
8. Tighten the screws to full torque In this sequence: A – B – C – D. (Fig. 3)

Accessories plate installation:

Screws: 4 x M3 flathead included in package

Tool: Torque screwdriver with PH #1



Orientation

CHEVRON symbols point to the side that should be adjacent to the cyc or wall.

Cyc / Wall

